

# **Chuck Waggon**

**BY BRISTER'S**

**Blade Mount**  
For 4 x 4 Model

**Installation**  
**Instructions**

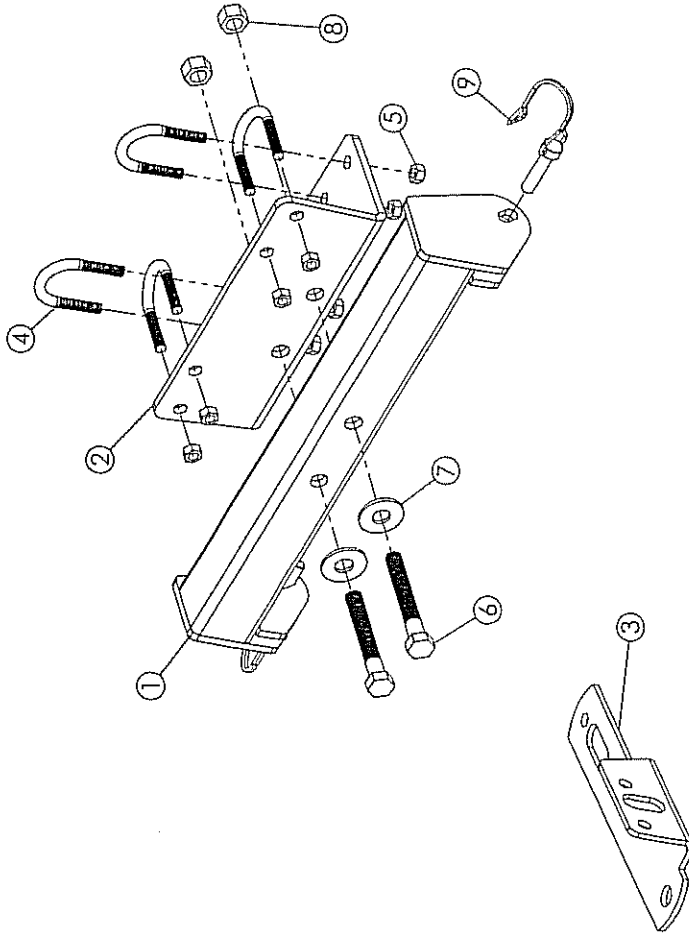
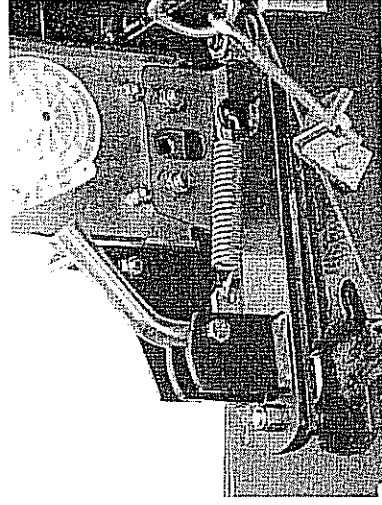
**KIT NUMBER: 54-1050**

Rev. 1  
8/25/06



### Installation Instructions #54-1050

1. Install the Attaching Bracket to the Utility Vehicle using the four 5/16" U-Bolts and Lock Nuts. Be sure the two half inch holes are facing the front of the Utility Vehicle. (As shown above).
2. Next install the Blade Mount to the Attaching Bracket using the two 1/2" x 3-1/2" Bolts, Flat Washers and Lock Nuts provided. (As shown above).
3. Install the Blade Lift Bracket (#3) on the Push Tube by removing the Blade Position Lever Bracket and inserting the Blade Lift Bracket (#3) underneath. Reinstall the Blade Position Lever Bracket. (As shown below.)



### #54-1050 Parts List

ITEM NO.	QTY.	PART NO.	DESCRIPTION
1	1	CYC5116	Blade Mount Weldment
2	1	CYC5319	Attaching Bracket
3	1	CYC5121	Blade Lift Bracket
4	4	PUR1427	5/16" x 1-3/8" x 2" U-Bolt
5	8	PUR1275	5/16" Nylock Nut
6	2	PUR1115	1/2" x 3 1/2" Bolt
7	2	PUR1236	1/2" Yellow Flat Washer
8	2	PUR1261	1/2" Nylock Nut
9	2	PUR1285	3/8" x 1-1/4" Locking Pin